

# EXPLOSION-PROOF ENCLOSURES & CONTROL STATIONS FOR PRECISION DIGITAL METERS



## EXPLOSION-PROOF ENCLOSURES

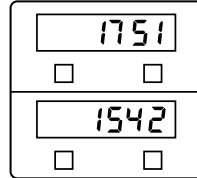
These Explosion-Proof Enclosures are a safe and rugged way to mount digital panel meters in hazardous locations. One or two meter configurations are available. One 3/4" NPT conduit hole is standard. Two or more conduit holes are available by special order. The 2" pipe mounting kit model PDA6545 is available for the PDA2444, PDA2445, and PDA2446 Explosion-Proof Enclosures. Enclosures, accessories, and meters are ordered separately.

PDA2444



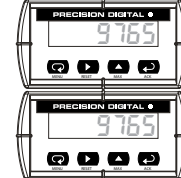
1 Type A, B, C, D or E Meter

PDA2445



2 Type B Meters

PDA2446



2 Type A, C, D or E Meters

## EXPLOSION-PROOF ENCLOSURES

### Notes:

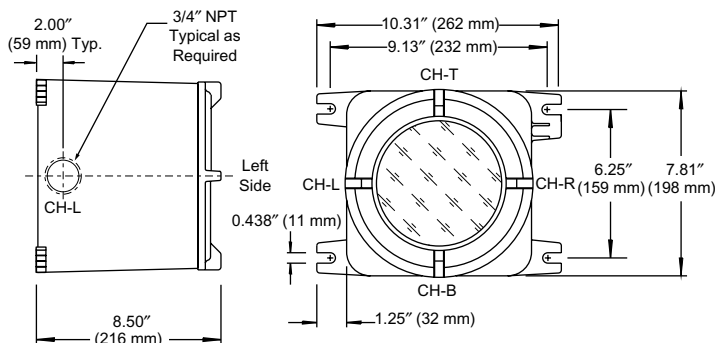
1. Enclosures with one 3/4" NPT conduit hole are standard (CH-L).
2. Enclosures with two or more conduit holes are special order. User to specify location of holes (see table). Special order enclosures are non-cancelable and non-returnable.

### Meter Types

| Type | Meters  |
|------|---|
| A    | PD118, PD690, PD691, PD692, PD693, PD750, PD751, and PD752        |
| B    | PD542, PD543, and PD562   |
| C    | PD603, PD644, PD683, PD684, PD688, PD689, PD743, PD765, and PD865 |
| D    | PD138, PD154, and PD158   |
| E    | PD6000, PD6200, PD6300, and PD7000                                |

## ENCLOSURE DIMENSIONS

Note: All dimensions are in inches and millimeters (mm)

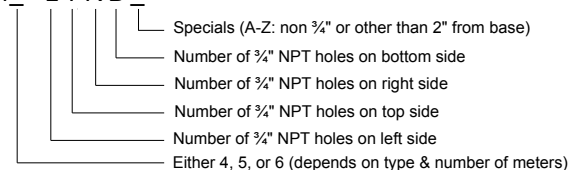


## ORDERING INFORMATION

| Explosion-Proof Enclosures  |  |
|-----------------------------|--|
| Model                       | Conduit Hole Location  |
| PDA244(4,5 or 6)-1000       | CH-L (Standard Product)  |
| PDA244(4,5 or 6)-1010       | CH-L & R   |
| PDA244(4,5 or 6)-1110       | CH-L, T & R  |
| PDA244(4,5 or 6)-1111       | CH-L, T, R & B   |
| PDA244(4,5 or 6)-LTRB (A-Z) | Special (requires separate drawing & authorization form – please call) |

Enclosures and meters are ordered and packaged separately. Up to 4 conduit holes per side may be requested.

### PDA244 - L T R B



| Accessories |  |
|-------------|--|
| Model       | Description                            |
| PDA6545     | 2" Pipe Mounting Kit Zinc Plated Steel |
| PDA6545-SS  | 2" Pipe Mounting Kit Stainless Steel   |
| PDA-SSTAG   | PDA6545-SS                             |

# EXPLOSION-PROOF ENCLOSURES & CONTROL STATIONS FOR PRECISION DIGITAL METERS



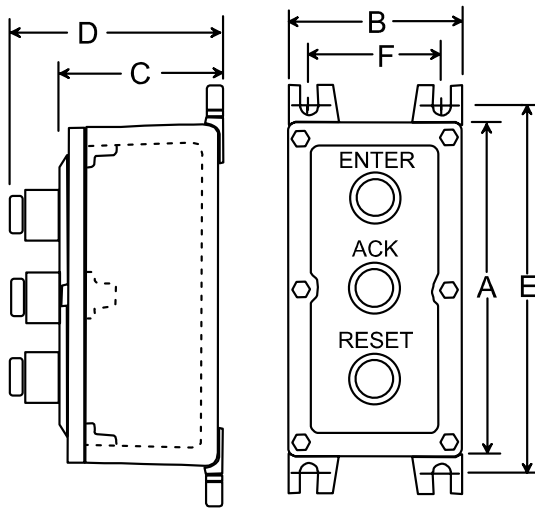
## EXPLOSION-PROOF CONTROL STATION DIMENSIONS

These Explosion-Proof Control Stations can be used with explosion-proof meters or with digital panel meters that are mounted in explosion-proof enclosures. The Control Stations contain either 1, 2, or 3 switches that can be connected to terminals on Precision Digital meters to control various functions.

### Samples

The **ENTER** button is used to configure the meter.  
 The **ACK** button is used to acknowledge the relays.  
 The **RESET** button is used to reset the total.  
 The **START** button is used to start a batch.  
 The **STOP** button is used to stop a batch.  
 The **SELECT** button is used to configure the meter.  
 The **CLEAR** button is used to clear.

## CONTROL STATION DIMENSIONS



| No. of Switches | Dimensions in Inches (mm) |              |               |               |              |              | Weight lb (kg) | Std Cond Size |
|-----------------|---------------------------|--------------|---------------|---------------|--------------|--------------|----------------|---------------|
|                 | A                         | B            | C             | D             | E            | F            |                |               |
| 1               | 4.5<br>(114)              | 4.5<br>(114) | 4.19<br>(106) | 6.19<br>(157) | 5.5<br>(140) | 3.25<br>(83) | 4.5<br>(2.0)   | 3/4"          |
| 2               | 7.0<br>(178)              | 4.5<br>(114) | 4.19<br>(106) | 6.19<br>(157) | 8.0<br>(203) | 3.25<br>(83) | 6.0<br>(2.7)   | 3/4"          |
| 3               | 8.0<br>(203)              | 4.5<br>(114) | 4.19<br>(106) | 6.19<br>(157) | 9.0<br>(229) | 3.25<br>(83) | 6.75<br>(3.1)  | 3/4"          |

Control Stations have conduit openings centered on top and bottom.

### Notes:

1. UL Listed & CSA Certified
2. NEMA 7 & 9
3. NEC Class I, Groups C & D; Class II, Groups E, F, & G
4. Material: Cast aluminum, 0.3% max copper content

## ORDERING INFORMATION

| Model       | No. of Switches | Label                  |
|-------------|-----------------|------------------------|
| PDA2451-E   | 1               | ENTER                  |
| PDA2451-R   | 1               | RESET                  |
| PDA2451-A   | 1               | ACK                    |
| PDA2452-ER  | 2               | ENTER & RESET          |
| PDA2452-EA  | 2               | ENTER & ACK            |
| PDA2452-SS  | 2               | START & STOP           |
| PDA2453-EAR | 3               | ENTER, ACK & RESET     |
| PDA2453-ESC | 3               | ENTER, SELECT, & CLEAR |
| PDA2453-ESS | 3               | ENTER, START, & STOP   |

### CLASSIFIED ENCLOSURES

**WARNING:** to prevent ignition of class I groups C atmospheres, all size conduit runs must have a sealing fitting connected within 3 inches of enclosure.

### Disclaimer

The information contained in this document is subject to change without notice. Precision Digital Corporation makes no representations or warranties with respect to the contents hereof, and specifically disclaims any implied warranties of merchantability or fitness for a particular purpose. ©2009 Precision Digital Corporation. All rights reserved.

**Your Local Distributor is:**

LIM2444-53\_D 07/09